

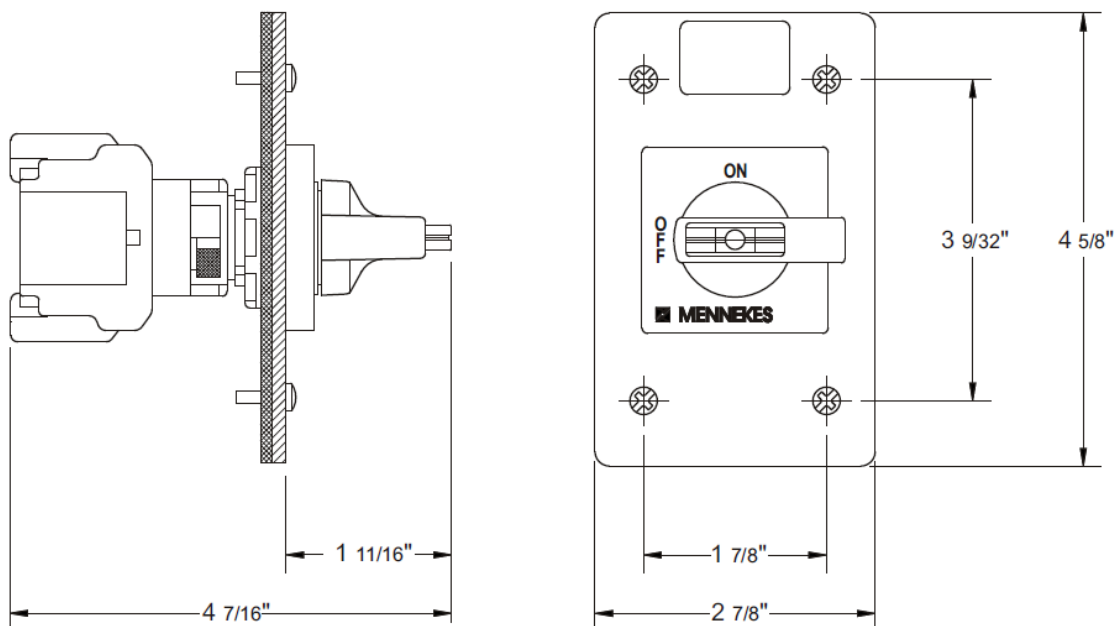
MENNEKES
 Electrical Products
 277 Fairfield Road
 Fairfield, NJ 07004
 800-882-7584
 www.MENNEKES.com

FS DISCONNECT SWITCH

| | |
|----------------------|--|
| Part No. | ME 30FSP-M2 |
| Description: | 30 Amp 3Ø 600Vac Motor Disconnect with Auxiliary Contacts - 1 N/O, 1 N/C |
| Construction: | Weatherproof - Wet and Damp Location |
| Approvals: | UL 508; UL 50E; and CSA C22.2 No.14-10 |
| Performance: | Lock Rotor Tested 10kAIC with 70A RK1 Fuse Suitable as Motor Disconnect Per NEC 430-109 (a)(6) |

HP RATINGS:

| 1 Ø | | | 3 Ø | | |
|------|------|----------|------|------|----------|
| 120V | 240V | 480/600V | 120V | 240V | 480/600V |
| 1 | 2.5 | 5 | 2 | 5 | 10 |



Drawing Not to Scale